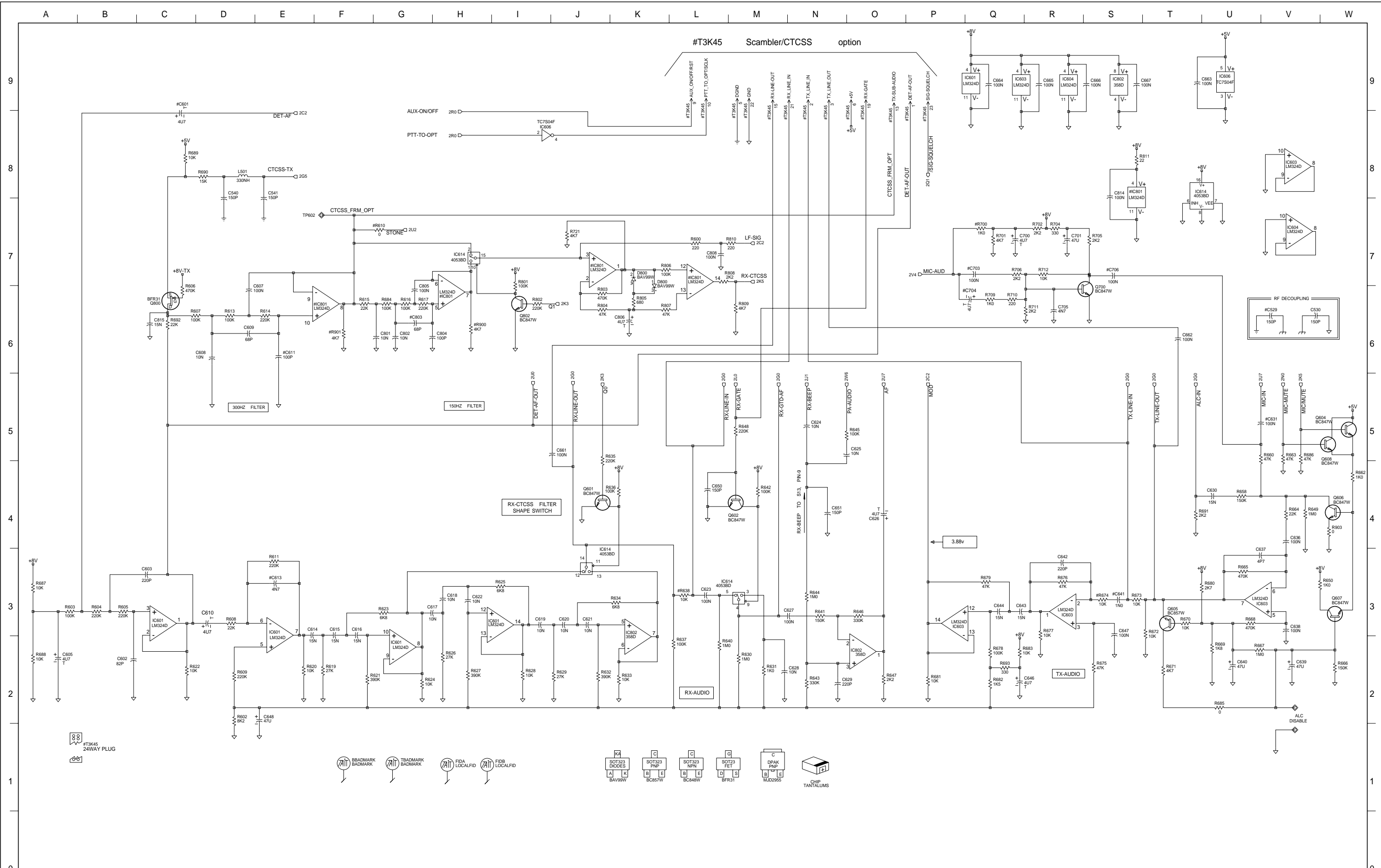


#T3K45 Scrambler/CTCSS option



13A	ECO NO 10000098	MAJ			
12A	ECO NO 10210 0072	BRD			09-06-03
11A	ECO NO 211374	BRD	KB		12-11-02
10A	ECO NO 211272	BRD			30-05-02
09A	UPDATE 520 PWR SIGNALS, CCO: 1344-003	RPS			19/07/01
08A	ADD CONNECTOR FOR LOOM, CCO: 1344-002	RPS			02/04/01
07A	ECO : 210703	CJK	EB		13/09/00
06A	UPDATE CIRCUITRY, ECO: 21 0600 21 0685 , CCO:1344-001	RPS			18/07/00
5A	CON:57104618,57104614	RPS			11/12/98
4A	ADD/UPDATE COMPONENTS/DEVICES	RPS			02/07/97
3A	MOVED RX-CTCSS TRACK		M.HALL		
2A	SEL/CALL/DRP CONNECTIONS	SD			5-7-96
1A	JUST A COUPLE OF SMALL MODS -NOT!	DBH			
REV/ISS	AMENDMENTS	DRAWN	CHKD	D.O.	APVD DATE

- BADMARK
- TBADMARK
- FIDA LOCALFID
- FIDB LOCALFID
- SOT323 DIODES
- SOT323 PNP
- SOT323 NPN
- SOT23 FET
- DPAK PNP
- DPAK NPN
- MJD2955
- CHIP TANTALUMS

© TAIT ELECTRONICS
 T2000 ENHANCED HC11 PLATFORM
 AUDIO CIRCUITRY

ISSUE NO: 2. SC. 1
 PROJECT: 220-01344-13
 DESIGNER: MAJ
 FILE NAME: 134413a
 FILE DATE: 12-JUN-04
 NO. SHEETS: 4

OPTION	DESCRIPTION	#C529	#C601	#C613	#C631	#C641	#C706	#C810	#C812	#IC503	#IC505	#IC517	#Q511	#R542	#R552	#R571	#R638	#R639	#R674	
X2L217G	T2017 CONVENTIONAL DUAL BAND	150p	470n	Tant	4n7	NF	1n	100n	NF	NF	MC14021	MC68HC11E1	NF	MJD2955	2k2	NF	0E	10k	2k2	10k
X2L061	T2020 CONVENTIONAL (T2020-XXX-X60 ONLY)	150p	470n	Tant	4n7	100n	1n	NF	NF	NF	NF	MC68HC11A1	NF	MJD2955	2k2	0E	0E	10k	2k2	10k
X2L220	T2020 CONVENTIONAL 100 CHANNEL	150p	470n	Tant	4n7	100n	1n	NF	NF	NF	NF	MC68HC11E1	NF	MJD2955	2k2	0E	0E	10k	2k2	10k
X2L220G	T2020 CONVENTIONAL 100 CHANNEL	150p	470n	Tant	4n7	100n	1n	NF	NF	NF	NF	MC68HC11E1	NF	MJD2955	2k2	0E	0E	10k	2k2	10k
X2L222	T2020 CONVENTIONAL DUAL BAND STANDARD	150p	470n	Tant	4n7	100n	1n	NF	NF	NF	NF	MC68HC11E1	NF	MJD2955	2k2	0E	0E	10k	2k2	10k
X2L225	T2020 CONVENTIONAL NZFS	150p	470n	Tant	4n7	100n	1n	NF	NF	NF	NF	MC68HC11A1	NF	MJD2955	0E	0E	0E	0E	NF	10k
X2L226C	T2020 CONVENTIONAL NO PRE EMPHASIS / NO DE EMPHASIS	150p	470n	Tant	33k	100n	47n	NF	NF	NF	NF	MC68HC11E1	NF	MJD2955	2k2	0E	0E	10k	2k2	180k
X2L227	T2020 CONVENTIONAL DUAL BAND	150p	470n	Tant	4n7	100n	1n	NF	NF	NF	NF	MC68HC11E1	NF	MJD2955	2k2	0E	0E	10k	2k2	10k
X2L230	T2030 TRUNKED STANDARD	150p	4u7	Tant	4n7	NF	1n	100n	NF	10n	MC14021	MC68HC11E1	FX469LS	NF	2k2	NF	220k	10k	2k2	10k
X2L235	T2035 TRUNKED STANDARD	150p	4u7	Tant	4n7	NF	1n	100n	NF	10n	MC14021	MC68HC11E1	FX469LS	NF	2k2	NF	220k	10k	2k2	10k
X2L236	T203X TRUNKED ALT PRE EMPHASIS	150p	4u7	Tant	4n7	NF	1n	100n	150p	150p	MC14021	MC68HC11E1	FX469LS	NF	2k2	NF	470k	10k	2k2	10k
X2L237	T203X TRUNKED	150p	4u7	Tant	4n7	NF	1n	100n	NF	10n	MC14021	MC68HC11E1	FX469LS	NF	2k2	NF	220k	10k	2k2	10k
X2L238	T203X TRUNKED ALT PRE EMPHASIS	150p	4u7	Tant	4n7	NF	1n	100n	150p	150p	MC14021	MC68HC11E1	FX469LS	NF	2k2	NF	470k	10k	2k2	10k
X2L240	T2040 TRUNKED STANDARD	150p	4u7	Tant	4n7	100n	1n	NF	NF	10n	NF	MC68HC11E1	FX469LS	MJD2955	2k2	0E	220k	10k	2k2	10k
X2L241	T2040 TRUNKED ALT PRE EMPHASIS	150p	4u7	Tant	4n7	100n	1n	NF	150p	150p	NF	MC68HC11E1	FX469LS	MJD2955	2k2	0E	470k	10k	2k2	10k

OPTION	DESCRIPTION	#R717	#R717A	#RV599	#S8	#S9	#S13	#S14	#S16	#S17	#S18	#S20	#T3K45	#T3K44
X2L217G	T2017 CONVENTIONAL DUAL BAND	NF	0E	NF	Fitted	NF	NF	NF	NF	NF	NF	Fitted	Fitted	Fitted
X2L061	T2020 CONVENTIONAL (T2020-XXX-X60 ONLY)	NF	0E	NF	NF	Fitted	Fitted	Fitted	Fitted	Fitted	Fitted	NF	Fitted	Fitted
X2L220	T2020 CONVENTIONAL 100 CHANNEL	NF	0E	NF	NF	Fitted	Fitted	Fitted	Fitted	Fitted	Fitted	Fitted	Fitted	Fitted
X2L220G	T2020 CONVENTIONAL 100 CHANNEL	NF	0E	NF	NF	Fitted	NF	NF	NF	NF	NF	Fitted	Fitted	Fitted
X2L222	T2020 CONVENTIONAL DUAL BAND STANDARD	NF	0E	NF	NF	Fitted	Fitted	Fitted	Fitted	Fitted	Fitted	Fitted	Fitted	Fitted
X2L225	T2020 CONVENTIONAL NZFS	NF	0E	NF	NF	Fitted	Fitted	Fitted	Fitted	Fitted	Fitted	NF	Fitted	Fitted
X2L226C	T2020 CONVENTIONAL NO PRE EMPHASIS / NO DE EMPHASIS	NF	0E	NF	NF	Fitted	Fitted	Fitted	NF	NF	NF	Fitted	Fitted	Fitted
X2L227	T2020 CONVENTIONAL DUAL BAND	NF	0E	NF	NF	Fitted	Fitted	Fitted	Fitted	Fitted	Fitted	Fitted	Fitted	Fitted
X2L230	T2030 TRUNKED STANDARD	0E	NF	50k	Fitted	NF	Fitted	Fitted	Fitted	Fitted	Fitted	NF	Fitted	Fitted
X2L235	T2035 TRUNKED STANDARD	0E	NF	50k	Fitted	NF	Fitted	Fitted	Fitted	Fitted	Fitted	NF	Fitted	Fitted
X2L236	T203X TRUNKED ALT PRE EMPHASIS	0E	NF	50k	Fitted	Fitted	Fitted	Fitted	Fitted	Fitted	Fitted	NF	Fitted	Fitted
X2L237	T203X TRUNKED	0E	NF	50k	Fitted	NF	Fitted	Fitted	Fitted	Fitted	Fitted	NF	Fitted	Fitted
X2L238	T203X TRUNKED ALT PRE EMPHASIS	0E	NF	50k	Fitted	NF	Fitted	Fitted	Fitted	Fitted	Fitted	NF	Fitted	Fitted
X2L240	T2040 TRUNKED STANDARD	0E	NF	50k	NF	Fitted	Fitted	Fitted	Fitted	Fitted	Fitted	NF	Fitted	Fitted
X2L241	T2040 TRUNKED ALT PRE EMPHASIS	0E	NF	50k	NF	Fitted	Fitted	Fitted	Fitted	Fitted	Fitted	NF	Fitted	Fitted

© TAIT ELECTRONICS
T2000 ENHANCED HC11 PLATFORM
CONTROLBOARD

IPN: 220-01344-13 ISSUE: A ID: 2.SC. 3

PROJECT: MAJ DESIGNER: MAJ FILE NAME: 134413a FILE DATE: 12-Jan-04 NO.SHEETS: 4

REV/ISS	AMENDMENTS	DRAWN	CHKD	D.O.	APVD	DATE
A						

MICROPHONE TYPE	#C704	#C703	#R700
Dynamic (std)	4u7 Tant	NF	NF
Electret	NF	100N	1k

SUB AUDIBLE SIGNAL OPTION	#R900	#C516	#C803	#IC801	#R610	#R901	#R902
X2L217G	4k7	100N	68p	LM324	NF	4k7	NF
X2L061	4k7	100N	68p	LM324	NF	4k7	NF
X2L22XX	4k7	100N	68p	LM324	NF	4k7	NF
X2L23X	NF	NF	68p	NF	0E	NF	NF
X2L24X	NF	NF	68p	NF	0E	NF	NF
X2L242	NF	NF	4p7	NF	0E	NF	NF

MEMORYTYPE	#IC500	#R654	#R655
NVRAM	M48Z58Y	0E	NF
"SRAM (NOTE: SRAM requires 1200 Channel option, refer to 'MEMORY SIZE' TABLE)"	W24655S	NF	1k

MEMORY SIZE	#IC550	#C575	#IC515	#IC516	#R499	R527	#R536
1200 Channel 3V Serial Flash Option	AT45DB011	FITTED	FITTED	FITTED	NF	10k	0E
1200 Channel 5V Serial Flash Option	AT45D011	FITTED	NF	FITTED	0E	10k	0E
100 Channel	NF	NF	NF	NF	NF	NF	NF

POWER RAMP UP/DOWN	#R517	#C832	#R524
Std	220k	1n	330k

SEL CALL SIGNALLING LEVEL	#RV508	#R596	#R597
Fixed (std)	NF	39k	10k
Adjustable	50k	NF	NF

BANDWIDTH OPTION	#R557	#Q518	#R542	#R558	#S20
Single Bandwidth	NF	NF	2k2	NF	NF
Dual Bandwidth	NF	NF	2k2	NF	FITTED
Inverted Dual Bandwidth	10k	FITTED	NF	2k2	FITTED
NZFS Dual Bandwidth	NF	NF	0E	NF	FITTED

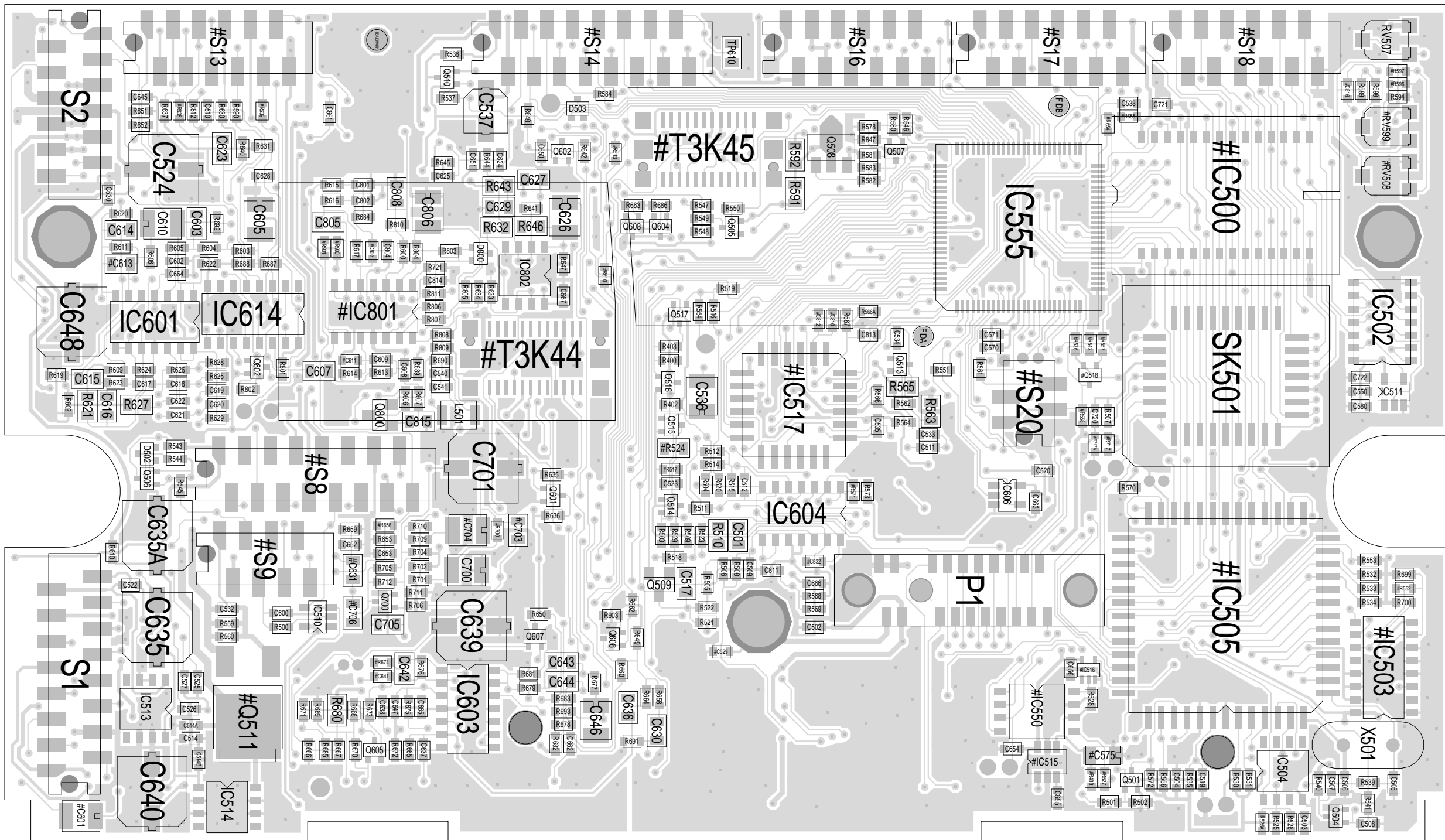
EMERGENCY-EXTERNAL LINK	#R513
Enabled	0E
Disabled	NF

© TAIT ELECTRONICS
T2000 ENHANCED HC11 PLATFORM CONTROLBOARD
IPN: 220-01344-13 ISSUE: A ID: 2.SC. 4
PROJECT: DESIGNER: MAJ FILE NAME: 134413a FILE DATE: 12-Jan-04 NO. SHEETS: 4

REV/ISS	AMENDMENTS	DRAWN	CHKD	D.O.	APVD	DATE

15
14
13
12
11
10
9
8
7
6
5
4
3
2
1

A
B
C
D
E
F
G
H
J



TAIT ELECTRONICS IPN: 220-01344-13 ISS: A ID: 1.TA DATE: 8 Jan 2004
T2K ENHANCED PCB LAYOUT - TOP SIDE

Scale: 2.3:1 ; Rotation: 270 degrees

15

14

13

12

11

10

9

8

7

6

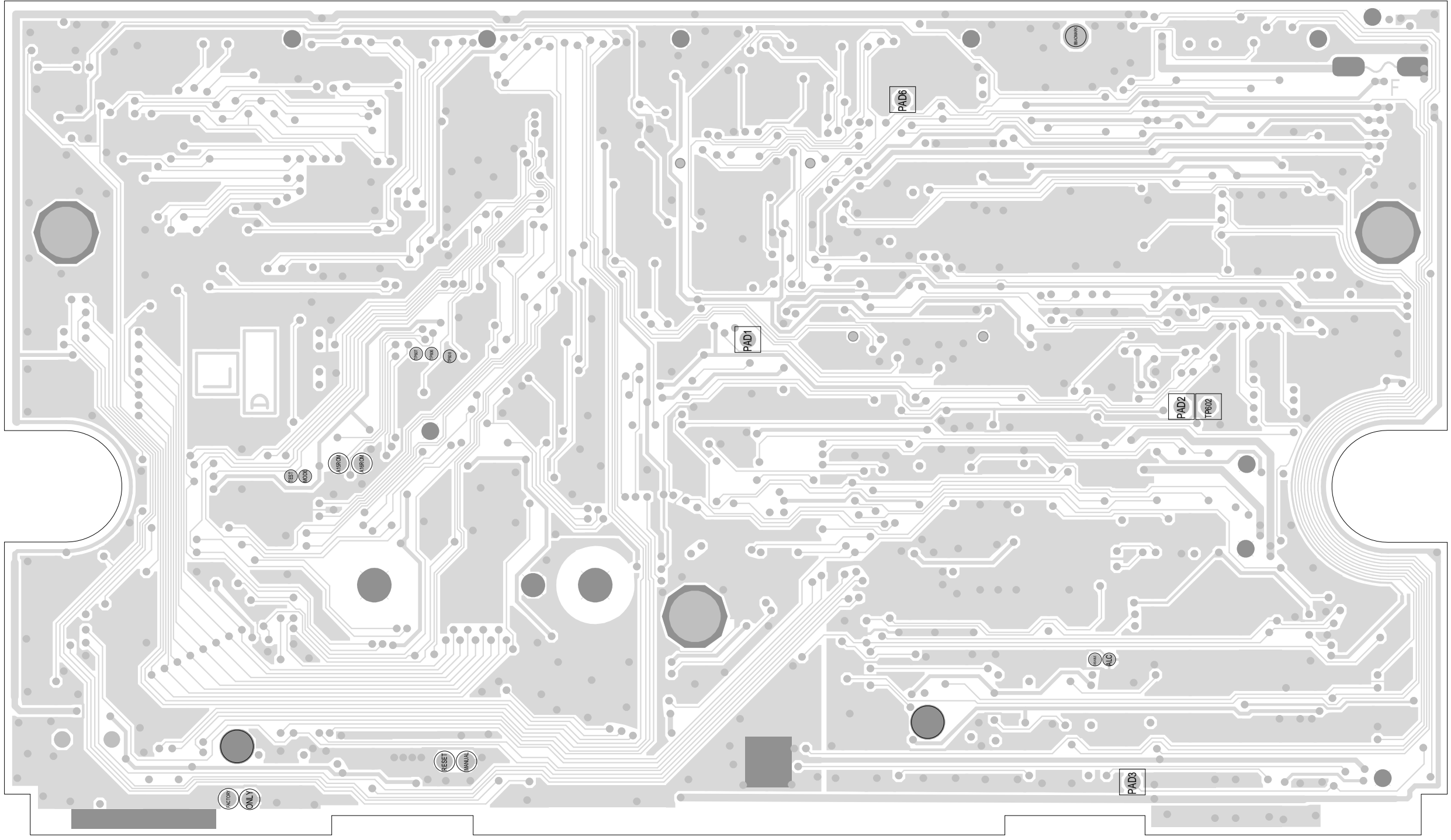
5

4

3

2

1



A

B

C

D

E

F

G

H

J

TAIT ELECTRONICS	IPN:	ISS:	ID:	DATE:
	220-01344-13	A	2.BA	8 Jan 2004
T2K ENHANCED PCB LAYOUT - BOTTOM SIDE				

Scale:2.3:1 ; Rotation: 90 degrees